



ERTELALSOP

THE FIRST NAME IN LIQUID FILTRATION™

4T SERIES LAB FILTER

The 4T Series lab filter is for use in laboratories to perform filtration trials and scalability studies. These units are constructed of 316 stainless steel with stainless steel cylinders for pressures up to 60 PSIG, or a protected Pyrex® glass cylinder for filtration up to 30 PSIG. Stainless steel cylinders can be furnished with an optional heating or cooling jacket.

When running trials, which require more than one filtration stage, ErtelAlsop, offers an optional dividing flange. This option can be supplied with the filter or at a later date without any modifications to the original system. This design allows for an infinite number of filtration stages, providing unlimited flexibility. Constant flow pumps, compressed air or inert gas can be used to flow liquid through the filter media. The O-Ring seal design provides the versatility to use a variety of filter media of different composition and thickness.

STANDARD FEATURES

- Stainless Steel Cylinder (model 4T)
- Pressure Gauge
- EPDM Elastomer
- Stainless Steel Mounting Stand

OPTIONAL FEATURES

- Pyrex® Glass Cylinder (model 4TP)
- Heating or Cooling Jacket (model 4TJ)
- Single Sheet / No Reservoir (model 4TS)
- Sanitary Connections
- Dividing Flanges
- Tubing and Pumps
- Elastomer Material - Teflon, Neoprene, Viton, Buna, Silicone



APPLICATIONS

- Research & Development
- Quality Assurance

PRODUCT TESTING

Product testing is always available either at your facility, through our network of distributors, or at our in-house laboratory.

PILOT TESTING - RENTALS

For in-plant testing and scale-up procedures, ErtelAlsop offers a variety of lab filters for rent. A portion of rental fees can be applied to the purchase of your full production filter.

ErtelAlsop offers a full line of Cylinder Type Laboratory Filters with capacities up to 8000 ml.

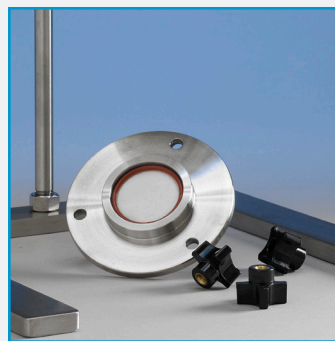
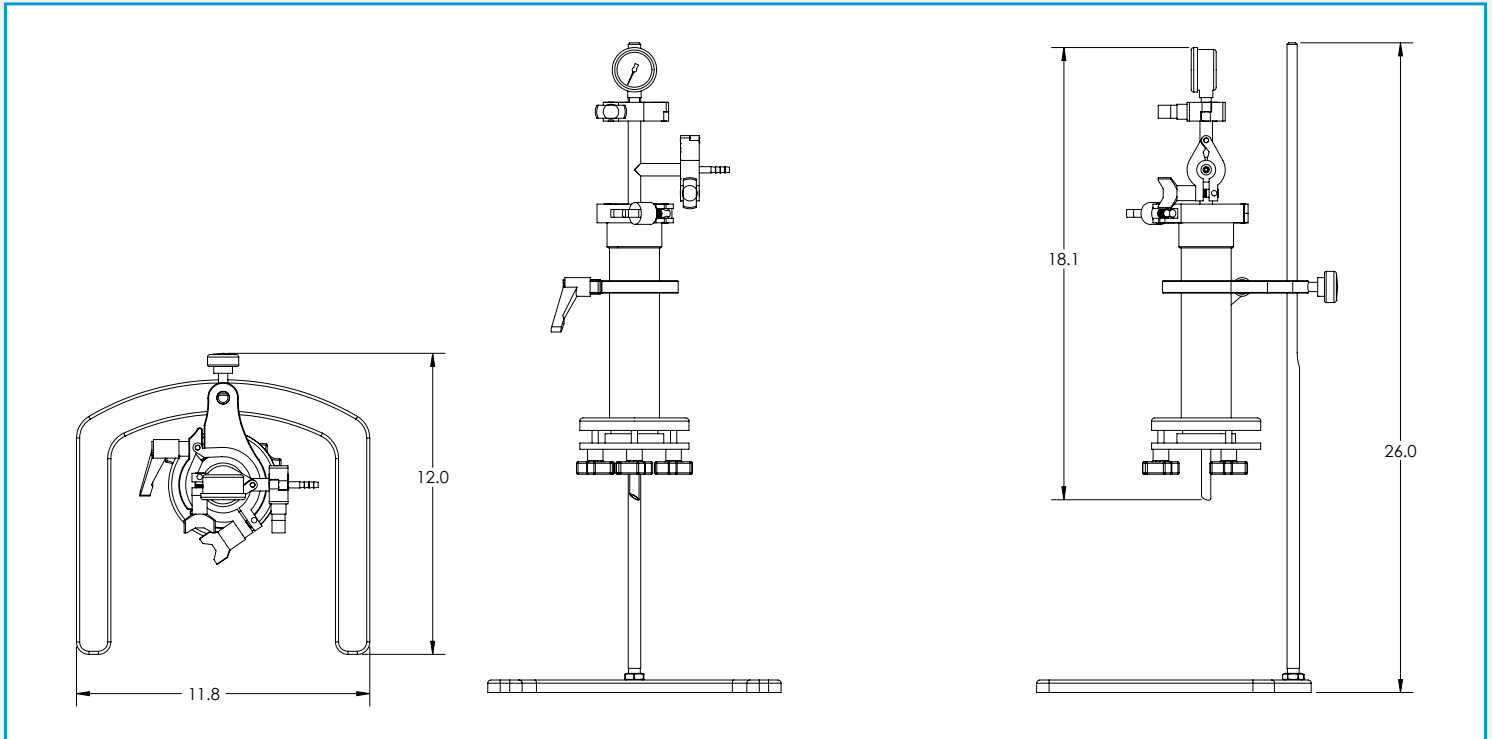
FILTER MEDIA

As with all ErtelAlsop plate and frame filter press models, media is available for any application and/or operating condition, and is chosen based on your specific operating conditions, the performance required by the filtering media, and criteria given to us by you and/or by sample processing we do in our lab.

ErtelAlsop offers the widest varieties of filter media including 100% cellulose pads, cellulose and diatomaceous earth pads, cellulose and Celpure® diatomaceous earth pads, cellulose and perlite pads, and cellulose and activated carbon pads.

All filter pads are manufactured to very high standards for a wide range of applications in the pharmaceutical, chemical, cosmetic, electric utility and food and beverage markets. ErtelAlsop also offers a Validation Guide to assist in the validation of its filter pads in your process. The Validation Guide contains information regarding raw materials, extractables, and general information about the product. The combination of ErtelAlsop "P" grade filter pads and ErtelAlsop's BioClean™ plate and frame filter press design, can help to simplify your depth filtration validation now more than ever.

SPECS.	4TS	4TP	4T	4TJ
Material	316L	316L/Pyrex	316L	316L
Gasket Material	EPDM	EPDM	EPDM	EPDM
Pressure Limit	60 PSI	30 PSI	60 PSI	60 PSI
Jacket Pressure	N/A	N/A	N/A	60 PSI
Media Type	Any Flat	Any Flat	Any Flat	Any Flat
Media Diameter	1.85 in (47 mm)	1.85 in (47 mm)	1.85 in (47 mm)	1.85 in (47 mm)
Filter Area	2.14 in ² (13.8 cm ²)	2.14 in ² (13.8 cm ²)	2.14 in ² (13.8 cm ²)	2.14 in ² (13.8 cm ²)
Volume	12.20 in ³ (20 ml)	15.26 in ³ (250 ml)	15.26 in ³ (250 ml)	15.26 in ³ (250 ml)
Gauge	None	0 - 2.5 Bar	0 - 2.5 Bar	0 - 2.5 Bar



For additional
product information visit
ErtelAlsop.com

[Technical Bulletin 4T-LF-13](#)

ErtelAlsop

132 Flatbush Avenue
Kingston, NY 12401 US

ErtelAlsop.com
800.553.7835 Telephone
845.853.1526 Fax

Keep in touch.

Visit us at ErtelAlsop.com

Your Local Distributor

vipur

Purification Solutions

Mariahilfer Straße 113/18, 1060 Wien
+ 43 1 99 74 281
office@vipur.at